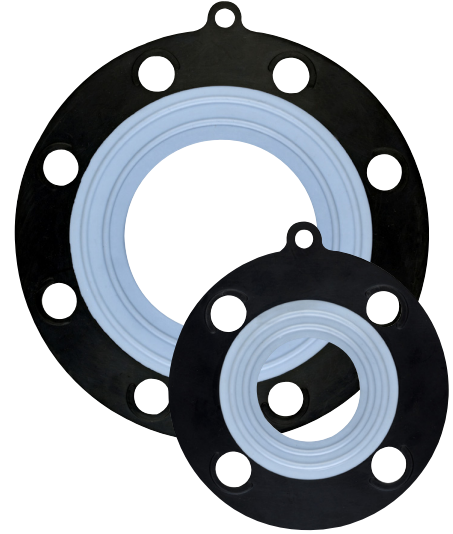


# Rubber Fab

a Garlock Hygienic Technologies company

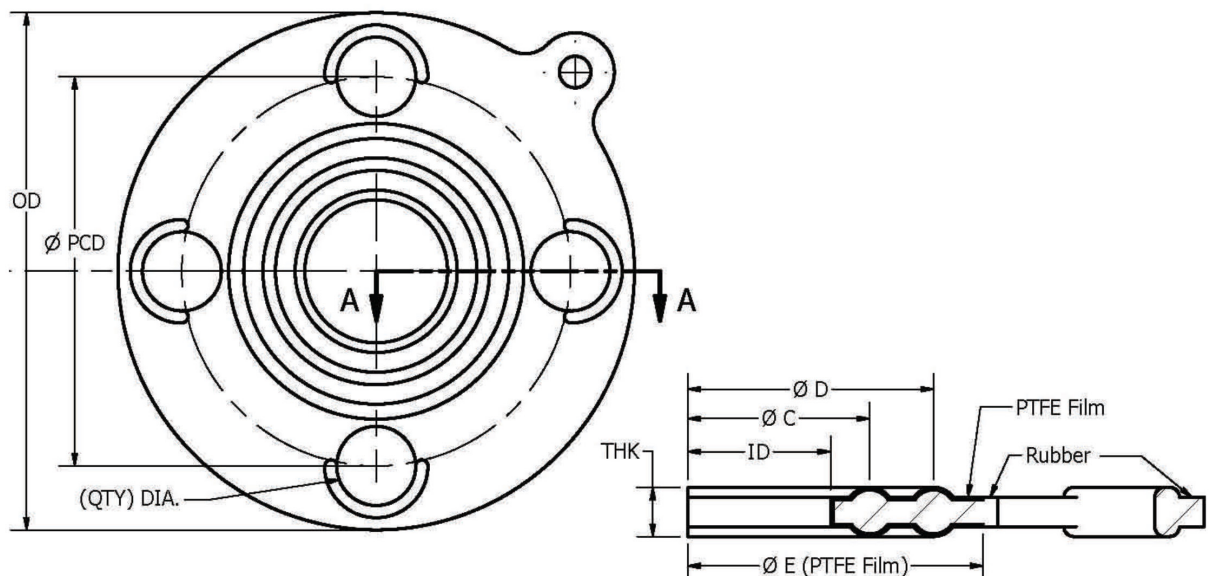
## Ansi-Flex/150# Ansi Flange Gasket

An Ansi-Flex 150# Ansi Flange Gasket's contact surface is PTFE unitized to an EPDM rubber inner core. This totally bonded construction provides a PTFE gasket with the mechanical characteristics, including memory, of an elastomer gasket with steam resistance. The Ansi-Flex 150# flange gasket has superior and extended service life over standard flange gaskets.



PIPE SIZE	PART NUMBER	OD	ID	THK.	C	D	PCD	# HOLES	E
1/2"	FF-AF-E-050-150#-.197	3.386	0.708	0.197	1.181	—	2.362	(4) .630	1.654
3/4"	FF-AF-E-075-150#-.197	3.78	0.866	0.197	1.181	1.654	2.756	(4) .630	2.047
1"	FF-AF-E-100-150#-.197	4.134	1.142	0.197	1.456	1.968	3.11	(4) .630	2.362
1-1/4"	FF-AF-E-125-150#-.197	4.528	1.496	0.197	1.811	2.323	3.504	(4) .630	2.756
1-1/2"	FF-AF-E-150-150#-.197	4.921	1.693	0.197	2.087	2.677	3.858	(4) .630	3.11
2"	FF-AF-E-200-150#-.197	5.906	2.126	0.197	2.52	3.268	4.764	(4) .748	3.898
2-1/2"	FF-AF-E-250-150#-.197	6.89	2.716	0.197	3.189	3.976	5.512	(4) .748	4.646
3"	FF-AF-E-300-150#-.197	7.402	3.15	0.197	3.622	4.409	5.984	(4) .748	5.118
4"	FF-AF-E-400-150#-.197	8.898	4.055	0.197	4.882	5.827	7.48	(8) .748	6.614
6"	FF-AF-E-600-150#-.197	10.906	6.024	0.197	6.772	7.717	9.488	(8) .866	8.346
8"	FF-AF-E-800-150#-.197	13.386	7.874	0.197	8.74	9.685	11.732	(8) .866	10.68

10" & 12" consult factory



26 Brookfield Drive • Sparta, New Jersey 07871

973.579.2959 • 866-442-2959 Toll Free • 973.579.7275 Fax • [www.rubberfab.com](http://www.rubberfab.com)