

**PIPE CLAMP SELECTION**

**Mounting / Hardware Configuration**

Behringer offers an array of mounting configurations and arrangement styles for the Sanitary Smooth Bore Series supports. They can be mounted to the support structure by either welding, bolting, hanging, rail mount, strut mount or via stanchions. In addition, they can be stacked on top of each other to save on space. Please check the ordering code for available assemblies with the configuration you desire. Here are some examples of the mounting options.



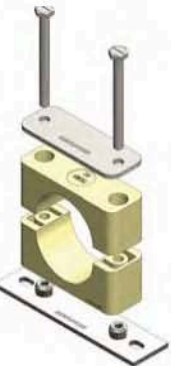
**Weld Mounting [STW]**

Clamps are supplied with a weld plate (STW) for welding directly to the support structure. This is the most commonly used style and includes a cover plate (COP) and hex bolts (HEX).



**Hang Mounting [HAP]**

Clamps are supplied with a hang plate (HAP) that allows the support block to be installed at a distance from the structural member from which it is mounted. They are hung from threaded rod to the desired elevation.



**Bolt Mounting [BAP]**

Clamps are supplied with a Base Plate (BAP) for applications where the clamp cannot be welded into position. This is commonly used to mount to non-metallic surfaces, such as wood or drywall.



**Rail Mounting [RCN, RAL]**

Rail mounting makes installations of multiple lines of different group sizes an easy task. All clamps within one series can be mounted directly to a single channel using Rail Nuts (RCN) or Weld Plates (STW) in conjunction with Behringer's proprietary Mounting Rail (RAL-1).



**Strut Mounting [UCN]**

Clamps are supplied with Unistrut Clip Nuts (UCN) for mounting to standard Unistrut channel. The nuts adapt to any strut channel that is 1 5/8" wide. The depth of the channel is not important as the UCN clips attach with spring loaded tension to the top of the channel.



**Stacking Kits [SKSB]**

Stacking kits consist of a set of Clamp Halves (CLH), Stacking Bolts (STB) and a Safety Plate (SAF). A stacking kit is everything needed to take an existing clamp and add an additional level. Start by simply using the hardware from the existing clamp, remove the cover plate, clamp halves, and hex bolts and insert the stacking kit onto the bottom plate and then replace the original hardware on top. Multiple stacking kits can be added to increase the number of clamps stacked in a series.

Figure 200  
Weld Plate Mount

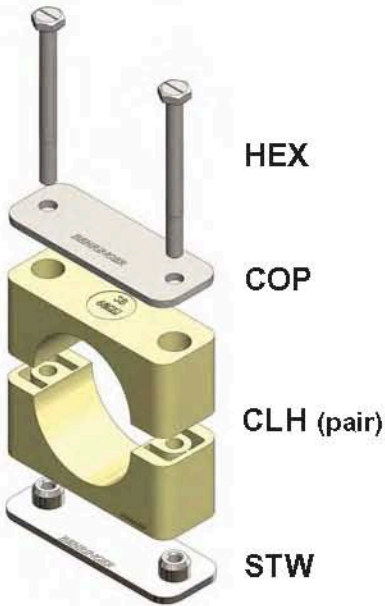


Figure 202  
Base Plate Mount

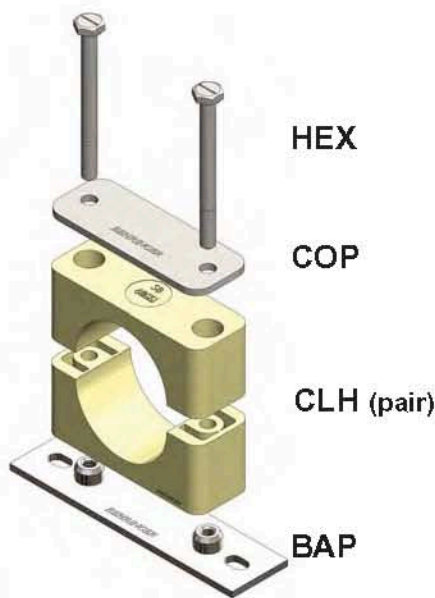


Figure 211  
Unistrut Mount

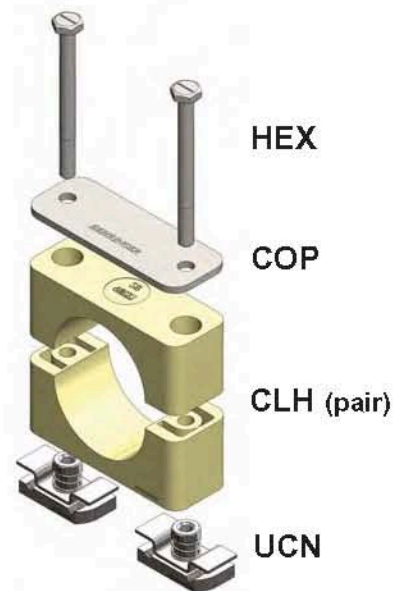
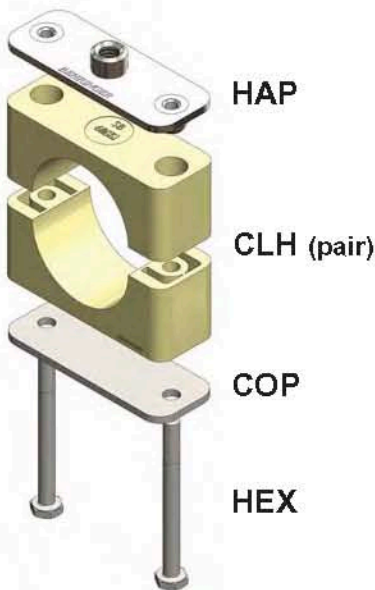


Figure 201  
Hang Plate Mount



Rail Mount

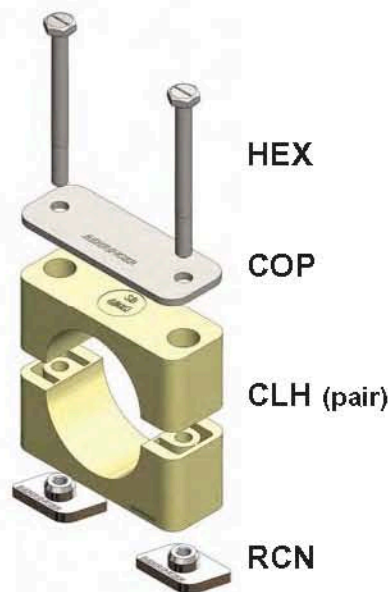
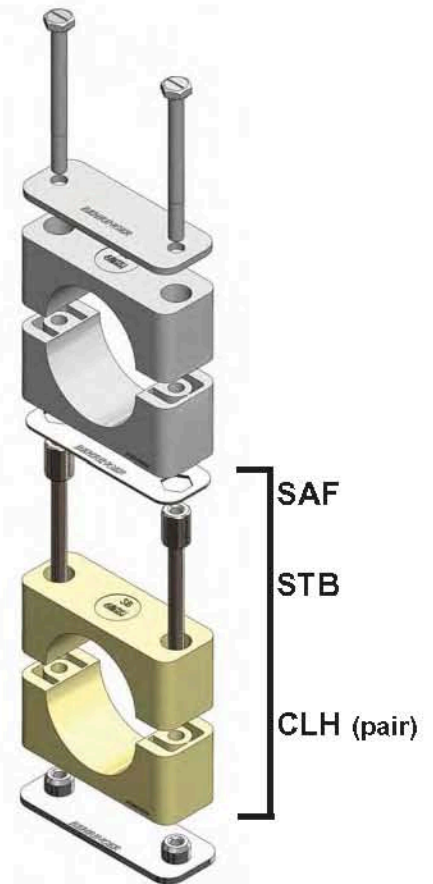


Figure 204  
Stacking Kit



**Key:**

- |                         |                          |
|-------------------------|--------------------------|
| BAP - Base Plate        | SAF - Safety Plate       |
| CLH - Clamp Half (pair) | STB - Stacking Bolt      |
| COP - Cover Plate       | STW- Standard Weld Plate |
| HAP - Hang Plate        | UCN- Unistrut Clip Nut   |
| HEX - Hex Bolt          | RCN- Rail Nut            |

**FIG. 200 BLOCK STYLE**

**WELD PLATE MOUNT**

**Size Range:** 1/4" outside diameter through 8.625" outside diameter

**Hardware:** 304 Stainless Steel, 316 Stainless Steel, or Electro-Zinc Plated Carbon Steel

**Plastic Inserts:** Polypropylene (blue)  
 Santoprene (beige)  
 Polysulfone (black)  
 HDPE (white)  
 High Temp Nylon (black)  
 \*See page 28 for temperature ratings

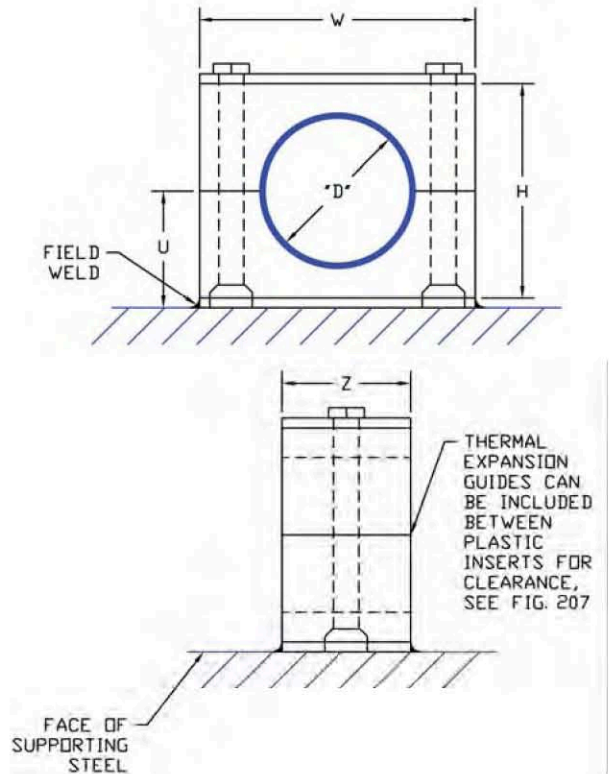
**Installations:** Weld bottom plate to structure or supporting member, let cool before mounting plastic blocks.



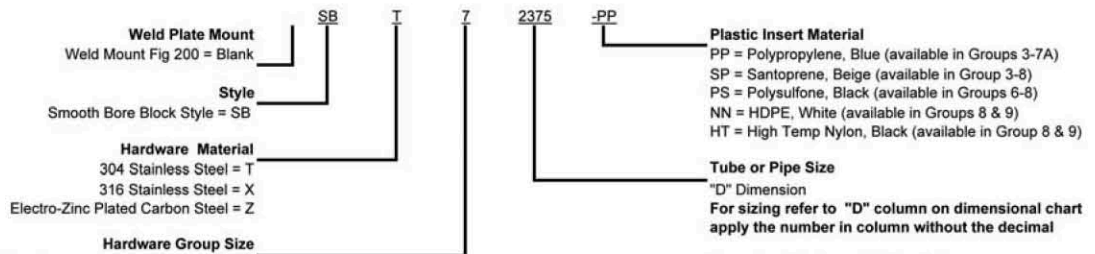
**Thermal Expansion Guide:** (Optional) Provides for axial expansion of the tube or pipe due to thermal expansion. One set of two per clamp (See Fig. 207 in accessories)

**Thermal Expansion Guide Material:** Santoprene, 1/16" insert, Black for service identification

GRP NO.	TUBE OR PIPE SIZE	"D" INCHES	W	H	Z	U	BOLT SIZE	LBS.
3	1/4 T	0.250	1.88" (48 mm)	1.38" (35 mm)	1.19" (30 mm)	0.81" (20 mm)	1/4-20	0.4 (0.18 kg)
	3/8 T	0.375						
	1/2 T	0.500						
	3/4 T	0.750						
	1/2 P	0.840						
1 T	1.000							
6	1/4 T	0.250	3.34" (85 mm)	2.63" (67 mm)	1.19" (30 mm)	1.44" (37 mm)	1/4-20	0.6 (0.27 kg)
	3/8 T	0.375						
	1/2 T	0.500						
	5/8 T	0.625						
	3/4 T	0.750						
	1/2 P	0.840						
	7/8 T	0.875						
	1 T	1.000						
	3/4 P	1.050						
	1-1/4 T	1.250						
	1 P	1.315						
1-1/2 T	1.500							
1-1/4 P	1.660							
1-1/2 P	1.900							
2 T	2.000							
7	2 T	2.000	5.00" (127 mm)	4.38" (111 mm)	1.19" (30 mm)	2.31" (59 mm)	1/4-20	1.1 (0.50 kg)
	2 P	2.375						
	2-1/2 T	2.500						
	2-1/2 P	2.875						
	3 T	3.000						
3-1/2 T -3 P	3.500							
7A	4 T	4.000	5.77" (147 mm)	4.8" (122 mm)	1.19" (33 mm)	2.54" (65 mm)	1/4-20	1.5 (0.68 kg)
8	6 T	6.000	8.88" (226 mm)	7.65" (194 mm)	1.50" (38 mm)	4.01" (102 mm)	3/8-16	4.4 (1.99 kg)
	6P	6.625						
9	8T	8.000	12.5" (318 mm)	10" (254 mm)	1.75" (44 mm)	5.38" (137 mm)	5/8 - 11	12.5 (5.7 kg)
	8P	8.625						



**Fig 200 Smooth Bore Weld Plate Mount - Part Number Configurator**



**Hardware Group Size**  
 Group 3 Hardware Size Tube OD and Pipe sizes ranging from 0.25" to 1" = 3  
 Group 6 Hardware Size Tube OD and Pipe sizes ranging from 0.25" to 2" = 6  
 Group 7 Hardware Size Tube OD and Pipe sizes ranging from 2" to 3.50" = 7  
 Group 7A Hardware Size 4" Tube OD = 7A  
 Group 8 Hardware Size Tube OD and Pipe sizes ranging from 6" to 6.625" = 8  
 Group 9 Hardware Size Tube OD sizes from 8" to 8.625" = 9

**Examples of column "D" translation:**

1/4" Tube = 025  
 3/4" Pipe = 1050  
 1" Pipe = 1315  
 2" Pipe = 2375  
 4" Tube = 400

**FIG. 201**

**HANG PLATE MOUNT**

**Size Range:** 1/4" outside diameter through 6.625" diameter

**Hardware:** 304 Stainless Steel, 316 Stainless Steel, or Electro-Zinc Plated Carbon Steel

**Plastic Inserts:** Polypropylene (blue)  
 Santoprene (beige)  
 Polysulfone (black)  
 HDPE (white)  
 High Temp Nylon (black)  
 \*See page 28 for temperature ratings

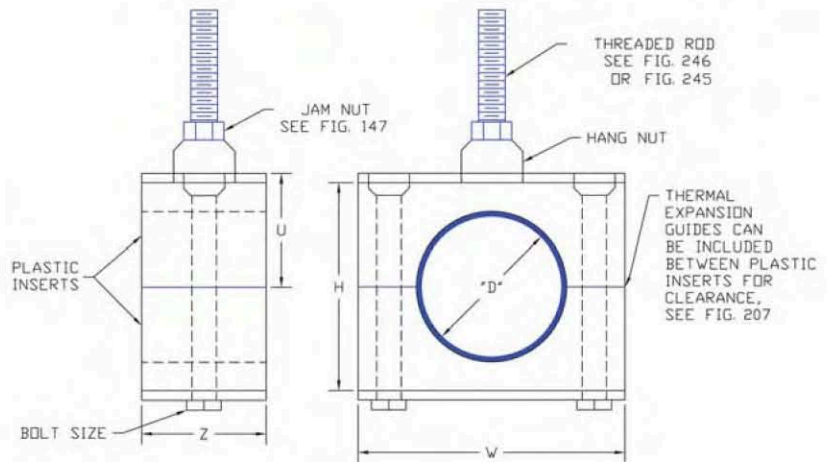
**Installations:** Hang from threaded rod to desired elevation

**Thermal Expansion Guide:** (Optional) Provides for axial expansion of the tube or pipe due to thermal expansion. One set of two per clamp (See Fig. 207 in accessories)

**Thermal Expansion Guide Material:** Santoprene, 1/16" insert, Black for service identification

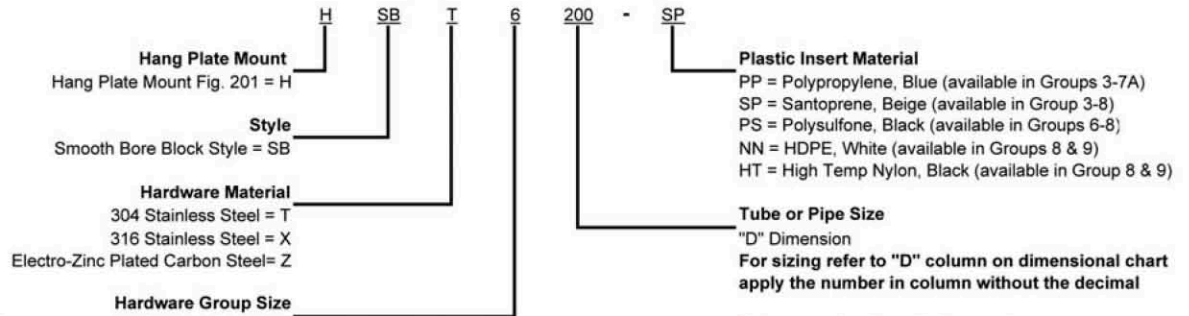


GRP NO.	TUBE OR PIPE SIZE	"D" INCHES	W	H	Z	U	BOLT SIZE	HANG NUT	LBS.
3	1/4 T	0.250	1.88" (48 mm)	1.38" (35 mm)	1.19" (30 mm)	0.81" (20 mm)	1/4-20	3/8-16	0.3 (0.14 kg)
	3/8 T	0.375							
	1/2 T	0.500							
	3/4 T	0.750							
	1/2 P	0.840							
1 T	1.000								
6	1/4 T	0.250	3.34" (85 mm)	2.63" (67 mm)	1.19" (30 mm)	1.44" (37 mm)	1/4-20	3/8-16	0.5 (0.23 kg)
	3/8 T	0.375							
	1/2 T	0.500							
	5/8 T	0.625							
	3/4 T	0.750							
	1/2 P	0.840							
	7/8 T	0.875							
	1 T	1.000							
	3/4 P	1.050							
	1-1/4 T	1.250							
	1 P	1.315							
	1-1/2 T	1.500							
1-1/4 P	1.660								
1-1/2 P	1.900								
2 T	2.000								
7	2 T	2.000	5.00" (127 mm)	4.38" (111 mm)	1.19" (30 mm)	2.31" (59 mm)	1/4-20	3/8-16	1.00 (0.45 kg)
	2 P	2.375							
	2-1/2 T	2.500							
	2-1/2 P	2.875							
	3 T	3.000							
3-1/2 T-3 P	3.500								
7A	4 T	4.000	5.77" (147 mm)	4.8" (122 mm)	1.19" (33 mm)	2.54" (65 mm)	1/4-20	3/8-16*	1.30 (0.59 kg)
8	6 T	6.000	8.88" (226 mm)	7.65" (194 mm)	1.50" (38 mm)	4.01" (102 mm)	3/8 - 16	5/8-11	4.00 (1.8 kg)
	6P	6.625							



\* Also available with a 1/2 - 13 thread

**Fig 201 Smooth Bore Hang Mount - Part Number Configurator**



- Group 3 Hardware Size Tube OD and Pipe sizes ranging from 0.25" to 1" = 3
- Group 6 Hardware Size Tube OD and Pipe sizes ranging from 0.25" to 2" = 6
- Group 7 Hardware Size Tube OD and Pipe sizes ranging from 2" to 3.50" = 7
- Group 7A Hardware Size 4" Tube OD = 7A
- Group 8 Hardware Size Tube OD and Pipe sizes ranging from 6" to 6.625" = 8

**Examples of column "D" translation:**

- 1/4" Tube = 025
- 3/4" Pipe = 1050
- 1" Pipe = 1315
- 2" Pipe = 2375
- 4" Tube = 400

**Size Range:** 1/4" outside diameter through 6.625" outside diameter

**Hardware:** 304 Stainless Steel, 316 Stainless Steel, or Electro-Zinc Plated Carbon Steel

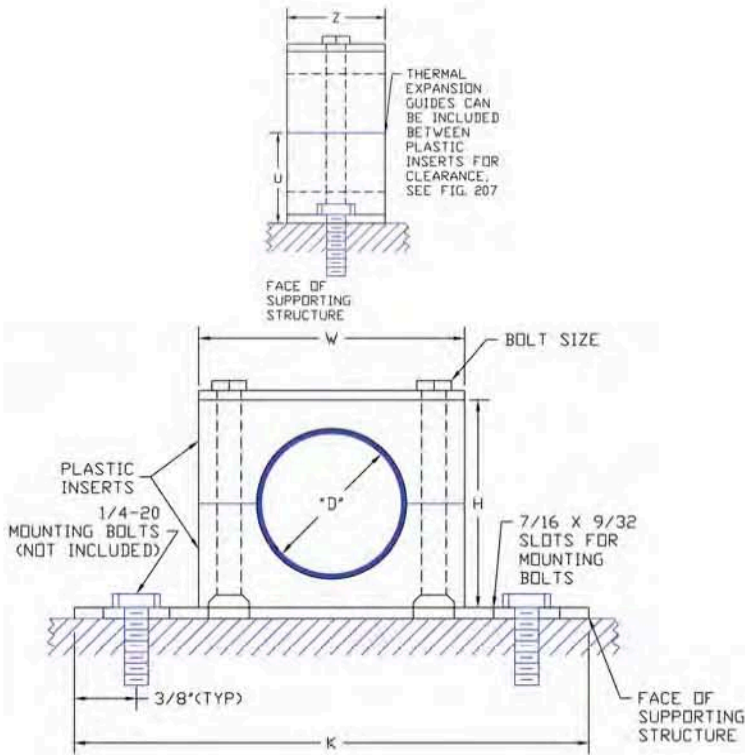
**Plastic Insert:** Polypropylene (blue)  
 Santoprene (beige)  
 Polysulfone (black)  
 HDPE (white)  
 High Temp Nylon (black)  
 \*See page 28 for temperature ratings

**Installation:** Locate bolt holes in mounting structure and either tap into structure or use 1/4-20 bolt and nut to secure



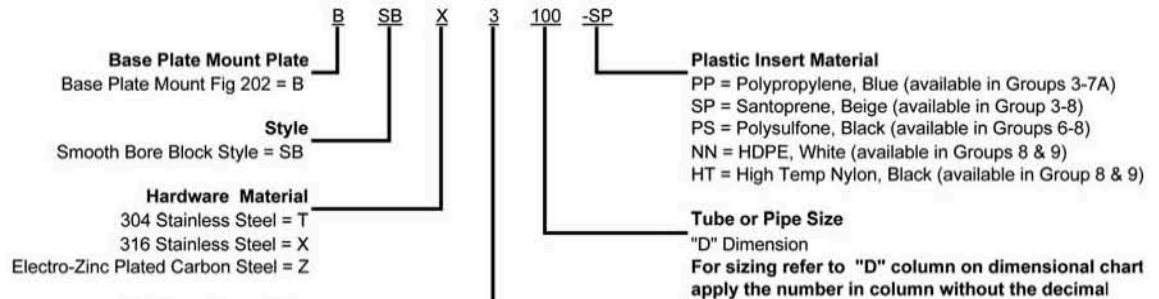
**Thermal Expansion Guide:** (Optional) Provides for axial expansion of the tube or pipe due to thermal expansion. One set of two per clamp (See Fig. 207 in accessories)

**Thermal Expansion Guide Material:** Santoprene, 1/16" insert, Black for service identification



GROUP NO.	TUBE OR PIPE SIZE	"D" INCHES	INCHES					BOLT SIZE	LBS.
			W	H	Z	U	K		
3	1/4 T	0.250	1.88" (48 mm)	1.38" (35 mm)	1.19" (30 mm)	0.81" (20 mm)	3.50" (89 mm)	1/4-20	0.4 (0.18 kg)
	3/8 T	0.375							
	1/2 T	0.500							
	3/4 T	0.750							
	1/2 P	0.840							
	1 T	1.000							
6	1/4 T	0.250	3.34" (85 mm)	2.63" (67 mm)	1.19" (30 mm)	1.44" (37 mm)	4.50" (114 mm)	1/4-20	0.6 (0.27 kg)
	3/8 T	0.375							
	1/2 T	0.500							
	5/8 T	0.625							
	3/4 T	0.750							
	1/2 P	0.840							
	7/8 T	0.875							
	1 T	1.000							
	3/4 P	1.050							
	1-1/4 T	1.250							
	1 P	1.315							
	1-1/2 T	1.500							
7	1-1/4 P	1.660	5.00" (127 mm)	4.38" (111 mm)	1.19" (30 mm)	2.31" (59 mm)	6.50" (165 mm)	1/4-20	1.1 (0.50 kg)
	1-1/2 P	1.900							
	2 T	2.000							
	2 P	2.375							
	2-1/2 T	2.500							
	2-1/2 P	2.875							
7A	3 T	3.000	5.77" (147 mm)	4.8" (122 mm)	1.19" (33 mm)	2.54" (65 mm)	7.20" (183 mm)	1/4-20	1.5 (0.68 kg)
	3-1/2 T - 3 P	3.500							
	4 T	4.000							
8	6 T	6.000	8.88" (226 mm)	7.65" (194 mm)	1.50" (38 mm)	4.01" (102 mm)	11.25" (286 mm)	3/8-16	4.4 (1.97 kg)
	6P	6.625							

**Fig 202 Smooth Bore Base Plate Mount - Part Number Configurator**



**Examples of column "D" translation:**

- 1/4" Tube = 025
- 3/4" Pipe = 1050
- 1" Pipe = 1315
- 2" Pipe = 2375
- 4" Tube = 400

**FIG. 203**

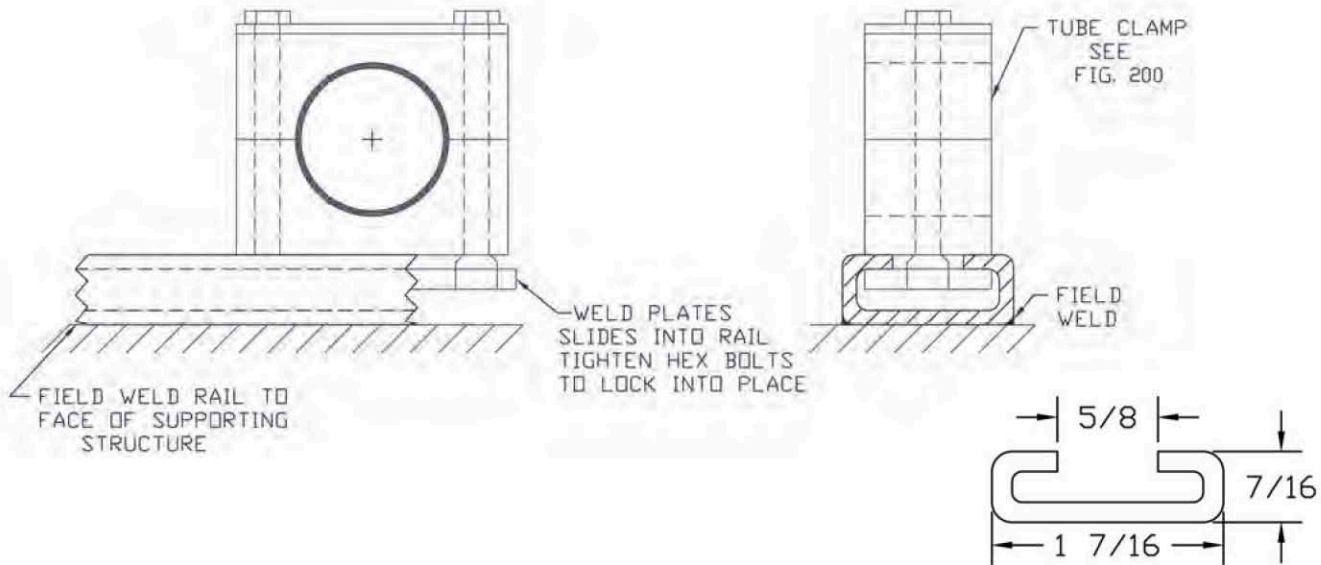
**RAL-1 RAIL MOUNTING**

**Size Range:** Rail Accomodates Clamps from 1/4" through 4" tube

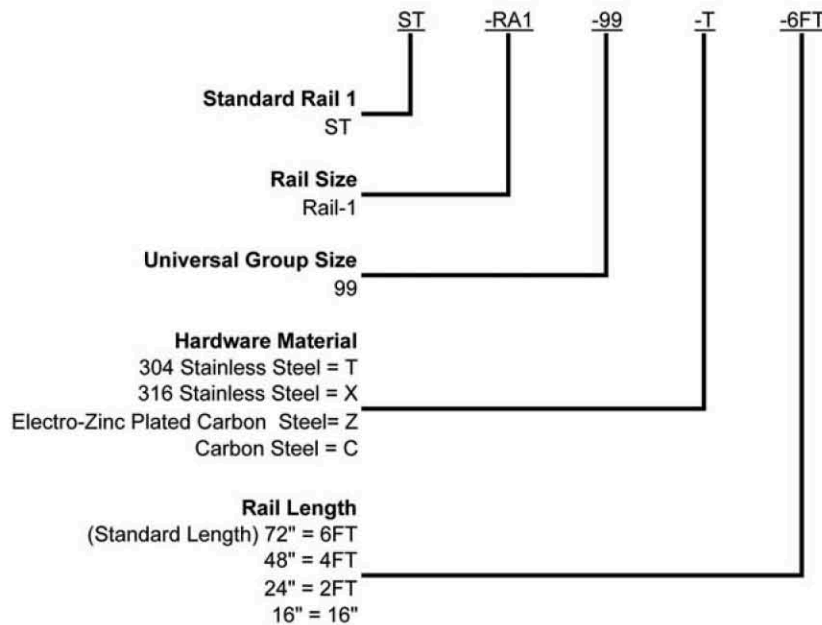
**Hardware:** 304 Stainless Steel; 316 Stainless Steel; Electro-Zinc Plated Carbon Steel

**Installations:** Weld Rail (RAL-1) to structure or supporting member. Slide clamp weld plate into rail, locate proper position and assemble clamp. Tightening hex bolts of clamp will lock clamp into position.

**\*See Alternate Mounting Option below**



**Fig 203 Rail Mounting (RAL-1) - Part Number Configurator**



**\*Alternate Mounting Option**

**RCN-1**  
Rail Nut (RCN-1) may also be used when mounting to Behringer's proprietary mounting rail (RAL-1)

**FIG. 204**

**STACKING KIT**

**Size Range:** Any double combination of sizes 1/4" outside diameter through 3.5" outside diameter

**Hardware:** 304 Stainless Steel, 316 Stainless Steel, or Electro-Zinc Plated Carbon Steel

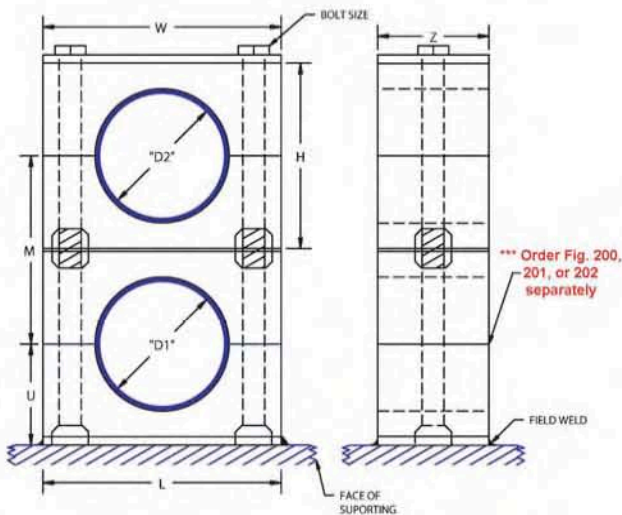
**Plastic Inserts:** Polypropylene (blue)  
Santoprene (beige)  
Polysulfone (black)  
\*See page 28 for temperature ratings

**Thermal Expansion Guide:** (Optional) Provides for axial expansion of the tube or pipe due to thermal expansion. One set of two per clamp (See Fig. 207 in accessories).

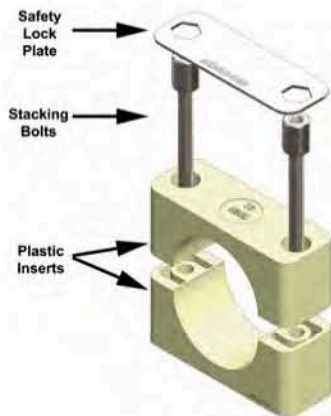
**Thermal Expansion Guide Material:** Santoprene, 1/16" insert, Black for service identification



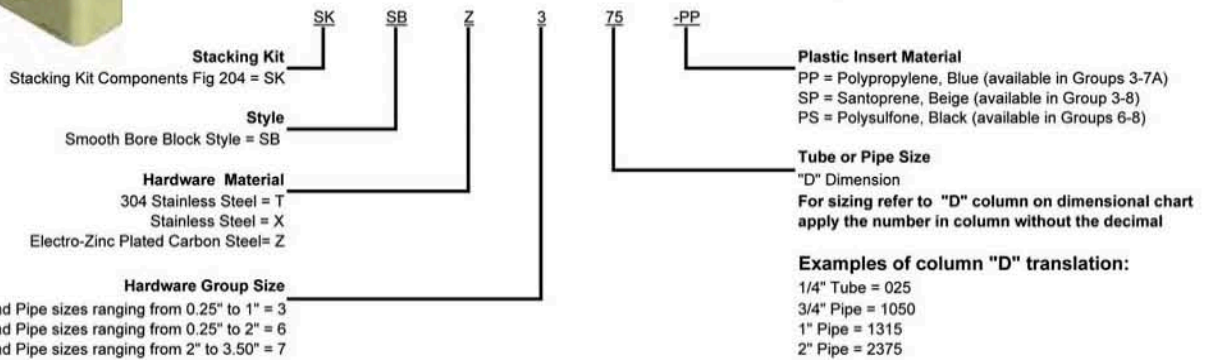
**\*\*\*NOTE:** This is sold as a modular component ONLY. Must order Fig. 200, 201 or 202 as a bottom assembly in addition to each stacking kit.



GRP NO.	TUBE OR PIPE SIZE	"D" INCHES	W	H	Z	U	L	M	BOLT SIZE
3	1/4 T	0.250	1.88 (48 mm)	1.38" (35 mm)	1.19" (30 mm)	0.81" (20 mm)	1.91 (49 mm)	1.44" (37 mm)	1/4-20
	3/8 T	0.375							
	1/2 T	0.500							
	3/4 T	0.750							
	1/2 P	0.840							
6	1 T	1.000	3.34" (85 mm)	2.63" (67 mm)	1.19" (30 mm)	1.44" (37 mm)	3.37 (86 mm)	2.69 (68 mm)	1/4-20
	1/4 T	0.250							
	3/8 T	0.375							
	1/2 T	0.500							
	5/8 T	0.625							
	3/4 T	0.750							
	1/2 P	0.840							
	7/8 T	0.875							
	1 T	1.000							
	3/4 P	1.050							
	1-1/4 T	1.250							
7	1 P	1.315	5.00" (127 mm)	4.38" (111 mm)	1.19" (30 mm)	2.31" (59 mm)	4.41" (112 mm)	4.44" (113 mm)	1/4-20
	2 T	2.000							
	2 T	2.000							
	2 P	2.375							
	2-1/2 T	2.500							
	2-1/2 P	2.875							
3 T	3.000								
3-1/2 T -3 P	3.500								



**Fig 204 Smooth Bore Stacking Kit - Part Number Configurator**



**FIG. 211**

**UNISTRUT MOUNT CLAMP**

**Size Range:** 1/4" outside diameter through 4" outside diameter.

**Hardware:** 304 Stainless Steel, 316 Stainless Steel, or Electro-Zinc Plated Carbon Steel

**Plastic Inserts:** Polypropylene (blue)  
 Santoprene (tan)  
 Polysulfone (black)  
 \*See page 28 for temperature ratings

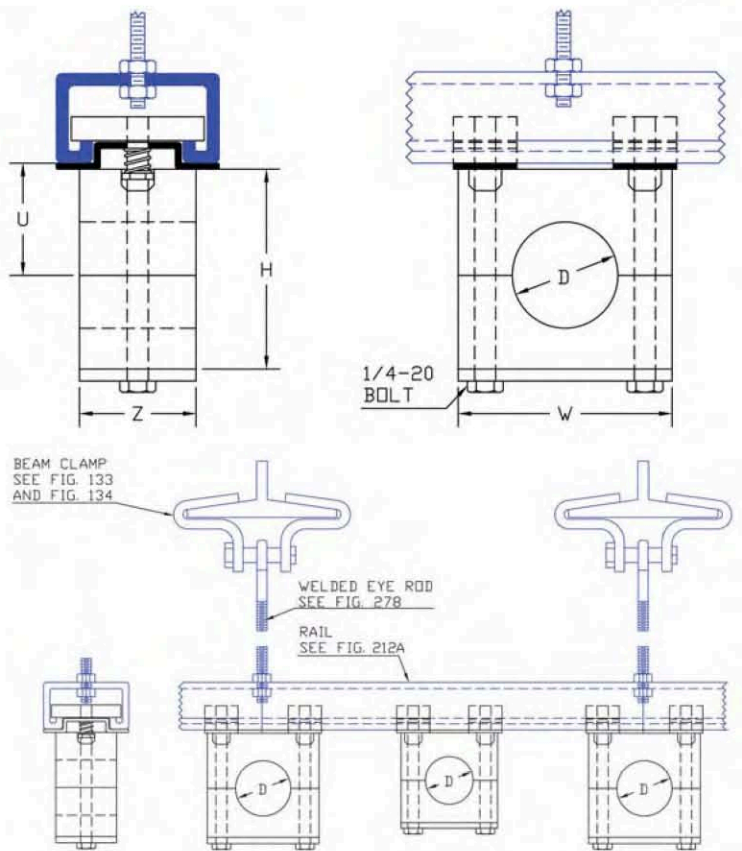
**Installations:** After unistrut rail position has been established, position 2 unistrut rail nuts in channel where desired to accept plastic inserts. Place pipe or tube in clamp perpendicular to unistrut channel. Torque down on clamp bolts to lock assembly in place.

**Thermal Expansion Guide:** (Optional) Provides for axial expansion of the tube or pipe due to thermal expansion. One set of two per clamp (See Fig. 207 in accessories).

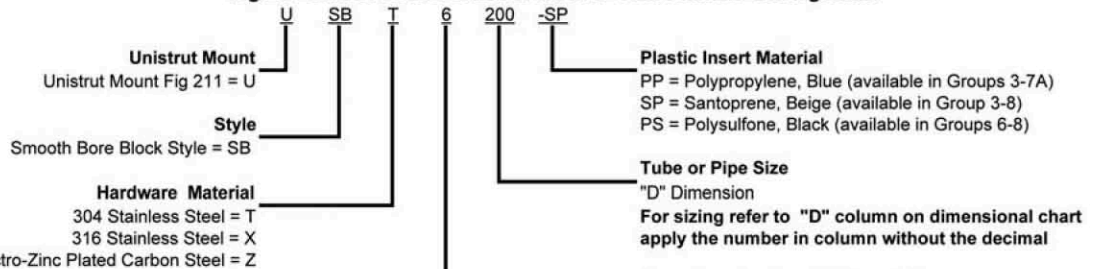
**Thermal Expansion Guide Material:** Santoprene, 1/16" insert, Black for service identification



GROUP NO.	TUBE OR PIPE SIZE	"D" INCHES	INCHES				LB <sub>s</sub>
			W	H	Z	U	
3	1/4 T	0.250	1.88 (48 mm)	1.38 (35 mm)	1.19 (30 mm)	.75 (19 mm)	0.4 (0.18 kg)
	3/8 T	0.375					
	1/2 T	0.500					
	3/4 T	0.750					
	1/2 P	0.840					
	1 T	1.000					
6	1/4 T	0.250	3.34 (85 mm)	2.63 (67 mm)	1.19 (30 mm)	1.38 (35 mm)	0.6 (0.27 kg)
	3/8 T	0.375					
	1/2 T	0.500					
	5/8 T	0.625					
	3/4 T	0.750					
	1/2 P	0.840					
	7/8 T	0.875					
	1 T	1.000					
	3/4 P	1.050					
	1-1/4 T	1.250					
	1 P	1.315					
	1-1/2 T	1.500					
	1-1/4 P	1.660					
	1-1/2 P	1.900					
7	2 T	2.000	5.00 (127 mm)	4.38 (111 mm)	1.19 (30 mm)	2.25 (57 mm)	1.1 (0.50 kg)
	2 T	2.000					
	2 P	2.375					
	2-1/2 T	2.500					
	2-1/2 T	2.875					
	3 T	3.000					
7A	4 T	4.000	5.77 (147 mm)	4.8 (122 mm)	1.19 (30 mm)	2.48 (62 mm)	1.5 (0.68 kg)



**Fig 211 Smooth Bore Unistrut Mount - Part Number Configurator**



**Hardware Group Size**  
 Group 3 Hardware Size Tube OD and Pipe sizes ranging from 0.25" to 1" = 3  
 Group 6 Hardware Size Tube OD and Pipe sizes ranging from 0.25" to 2" = 6  
 Group 7 Hardware Size Tube OD and Pipe sizes ranging from 2" to 3.50" = 7  
 Group 7A Hardware Size 4" Tube OD = 7A

**Examples of column "D" translation:**  
 1/4" Tube = 025  
 3/4" Pipe = 1050  
 1" Pipe = 1315  
 2" Pipe = 2375  
 4" Tube = 400



**FIG. 221**

**ROD MOUNT**

**Size Range:** 1/4" outside diameter through 6.625" outside diameter

**Hardware:** 304 Stainless Steel, 316 Stainless Steel, or Electro-Zinc Plated Carbon Steel

**Plastic Inserts:** Polypropylene (blue)  
 Santoprene (beige)  
 Polysulfone (black)  
 HDPE (white)  
 High Temp Nylon (black)  
 \*See page 28 for temperature ratings

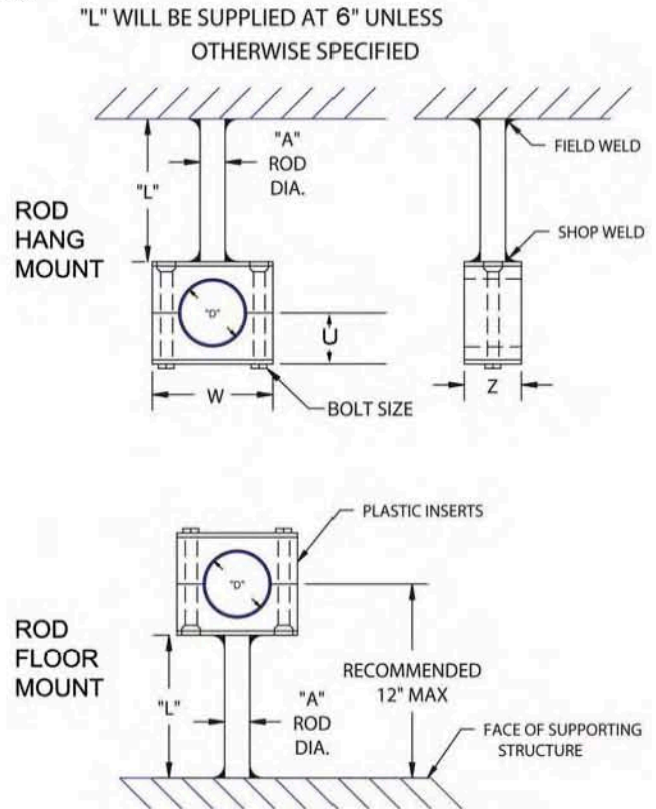
**Installations:** Cut bar in field to proper length. Field weld hang or floor mount bar to support structure. Fig 221 can also be used in combination with the figure 225 or 226 stanchions. This combination will allow the support to be adjusted telescopically to the tube or pipe elevation. Call customer service for the price and availability of special rod lengths.



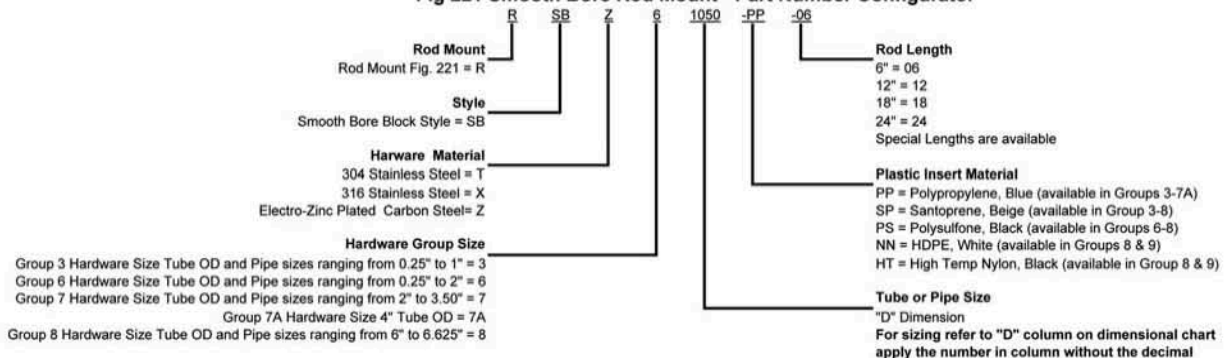
**Thermal Expansion Guide:** (Optional) Provides for axial expansion of the tube or pipe due to thermal expansion. One set of two per clamp. (See Fig. 207 in accessories).

**Thermal Expansion Guide Material:** Santoprene, 1/16" insert, Black for service identification

GRP NO.	TUBE OR PIPE SIZE	"D" INCHES	W	Z	U	BOLT SIZE	"A" ROD DIA
3	1/4 T	0.250	1.88" (48 mm)	1.19" (30 mm)	0.81" (20 mm)	1/4-20	0.5" (12.7 mm)
	3/8 T	0.375					
	1/2 T	0.500					
	3/4 T	0.750					
	1/2 P	0.840					
	1 T	1.000					
6	1/4 T	0.250	3.34" (85 mm)	1.19" (30 mm)	1.44" (37 mm)	1/4-20	0.5" (12.7 mm)
	3/8 T	0.375					
	1/2 T	0.500					
	5/8 T	0.625					
	3/4 T	0.750					
	1/2 P	0.840					
	7/8 T	0.875					
	1 T	1.000					
	3/4 P	1.050					
	1-1/4 T	1.250					
	1 P	1.315					
	1-1/2 T	1.500					
	1-1/4 P	1.660					
	1-1/2 P	1.900					
7	2 T	2.000	5.00" (127 mm)	1.19" (30 mm)	2.31" (59 mm)	1/4-20	0.75" (19 mm)
	2 P	2.375					
	2-1/2 T	2.500					
	2-1/2 P	2.875					
	3 T	3.000					
	3-1/2 T -3 P	3.500					
7A	4 T	4.000	5.77" (147 mm)	1.19" (33 mm)	2.54" (65 mm)	1/4-20	0.75" (19 mm)
8	6 T	6.000	8.88" (226 mm)	1.50" (38 mm)	4.01" (102 mm)	3/8-16	1.00" (25.4 mm)
	6 P	6.625					



**Fig 221 Smooth Bore Rod Mount - Part Number Configurator**



## MATERIAL PROPERTIES, TECHNICAL DATA

### Smooth Bore Inserts

General Information			Thermal Properties	
Plastic Insert Material	Part # Code	Color	Intermittent Exposure	Continuous Exposure
Polypropylene	PP	Blue	-22° to + 212°F (-30° to + 102°C)	-22° to + 194°F (-30° to + 90° C)
Santoprene	SP	Beige	-40° to + 302°F (-40° to + 150° C)	-40° to + 275°F (-40° to + 135°C)
Polysulfone	PS	Black	-50° to + 320°F (-45° to + 160°C)	-50° to + 320°F (-45° to + 160°C)
Zeotherm	ZT	Black	-40° to + 350°F (-40° to + 175°C)	-40° to + 300°F (-40° to + 150°C)
High Density Polyethylene*	NN	White	-58° to + 180°F (-50° to + 82°C)	-58° to + 175°F (-50° to + 79°C)
High Temp Nylon*	HT	Black	-40° to + 350°F (-40° to + 177°C)	-40° to + 260°F (-40° to + 127°C)

\* NN & HT inserts available in group 8 & 9 sizes only

### CH Series Inserts

General Information			Thermal Properties	
Plastic Insert Material	Part # Code	Color	Intermittent Exposure	Continuous Exposure
Polysulfone	PS	Black	-50° to + 320°F (-45° to + 160°C)	-50° to + 320°F (-45° to + 160°C)
Polysulfone	PG	Grey	-50° to + 320°F (-45° to + 160°C)	-50° to + 320°F (-45° to + 160°C)

Chemical Properties	Resistant to a wide range of chemicals. Please contact Behringer for Product Data Sheets.
Mechanical Properties	

### Metal Parts

#### - Surface finishing

In addition to the standard surface finish, alternative finishes are available on request



Mill Finish



Brushed



Blended Weld

**SPACING OF HANGERS**

Hangers and/or supports shall be spaced as far apart as economically possible, with due consideration to assure that the sag of the pipe between supports is within limits that will permit drainage and also avoid excessive bending stresses from concentrated loads such as valves and in-line equipment. Contractor shall use the maximum recommended spacing between pipe support specified below. Spacing indicated below may differ from that listed in MSS SP- 69. Additional hangers may be necessary to adequately support concentrated loads such as valves, flanges, or instruments.

**STEEL PIPE HANGER SPACING:**

PIPE SIZE (IN)	MAXIMUM SPACING (FT)
1/2" & 3/4"	6
1" & 1-1/4"	8
1-1/2" & 2"	10
3"	12
4" - 16"	16

**COPPERTUBING HANGER SPACING (includes schedule 10 pipe):**

TUBING SIZE (IN)	MAXIMUM SPACING (FT)
3/8" - 3/4"	6
1" - 1-1/4"	8
1- 1/2" - 3"	10
4" - 8"	12

**STAINLESS STEEL SANITARY TUBING HANGER SPACING:**

TUBING SIZE (IN)	MAXIMUM SPACING (FT)
1/2" - 3/4"	6
1" - 1-1/2"	8
2" - 3"	10
4" - 6"	12

**PLASTIC PIPING:**

Support in accordance with manufacturer's recommendations.

## Also available from Behringer Corporation Industrial Pipe Clamps

### Standard Series Pipe Clamps



**Range:** ¼" OD to 4" OD  
**Pressure:** 2,000 psi max.

### Heavy Series Pipe Clamps



**Range:** ¼" OD to 8" Pipe  
**Pressure:** 5,000 psi max. (Single plate)  
10,000 psi max. (Double plate)

### Twin Series Pipe Clamps



**Range:** ¼" OD to 1.66" OD  
**Pressure:** 1,500 psi max.

### Heavy 4 Series Pipe Clamps



**Range:** 8" Pipe to 30" Pipe  
**Pressure:** 5,000 psi max. (Single plate)  
10,000 psi max. (Double plate)