

Rubber Fab's

# SMART TRAKR™-T

## Precision Temperature Data Logger

Rubber Fab's SMART TRAKR™-T is a miniature, battery powered, stand alone, **precision temperature recorder**. The **all-in-one compact, portable, easy to use device** will measure and record up to 21,845 measurements per channel. The storage medium is non-volatile solid state memory, providing maximum data security even if the battery becomes discharged. The RTD sensor does not suffer from the cold-junction issues of the thermocouple nor the errors at high and low temperatures of the thermistor. The device can be started and stopped directly from your computer and its small size allows it to fit almost anywhere. **The SMART TRAKR™-T makes data retrieval quick and easy.** Simply plug it into an empty COM or USB port and our user-friendly software does the rest.

The Rubber Fab Smart Gasket® value is proven when validating sterility in a high purity pharmaceutical system. A standard sanitary ferrule utilizing the Smart Gasket® thermocouple gasket obtains the critical thermal mapping information needed during validation, combined with Rubber Fab's SMART TRAKR™-T provides real time data transfer!

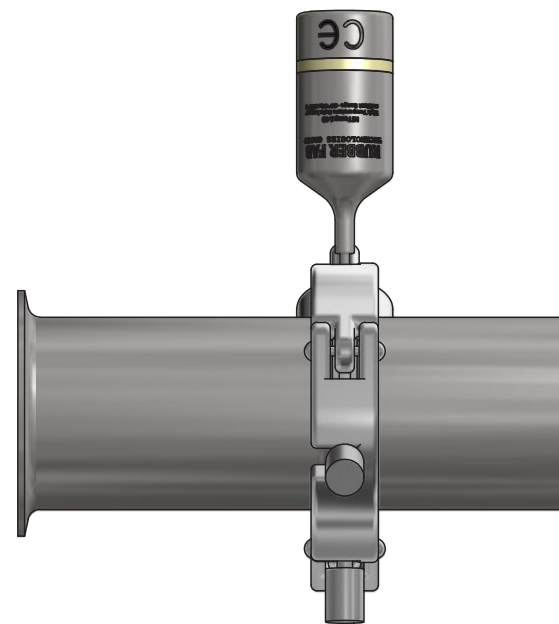


### Features:

- N.I.S.T. Traceable
- Real-Time Operation
- Low Cost
- Programmable Start Time
- Reusable
- Miniature Size
- User-Friendly
- CE Compliant

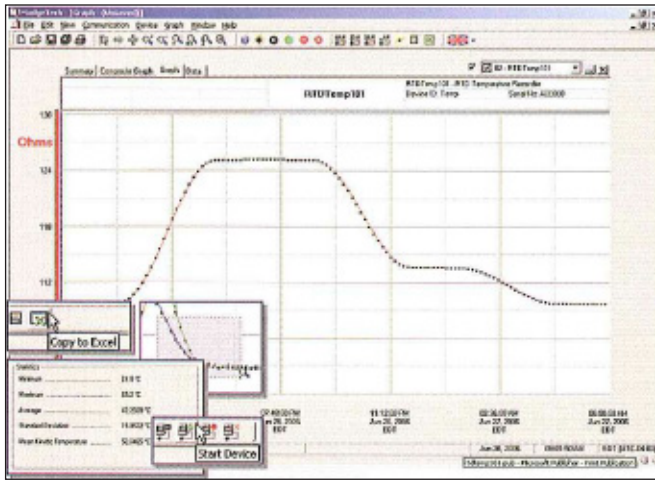
### Applications:

- Precision Temperature Recording
- Biopharmaceutical
- Food
- Dairy
- Beverage



# Rubber Fab

a Garlock Hygienic Technologies company



## Rubber Fab Data Recorder Software

Our software displays temperature data in an easy to use graph. The Windows®-based software package allows the user to effortlessly collect, display and analyze data. A variety of powerful tools allow you to examine, export, and print professional looking data with just a click of the mouse.

### Software Features:

- **Multiple Graphs:** Simultaneously analyzes data from several units or deployments; easily switch to a single data series
- **Graphical Cursor:** One click displays readings by time, value, parameter or sample number
- **Data Table:** Instantly access tabular view for detailed dates, times, values, and annotations
- **Scaling Options:** Autoscale function fits data to the screen, or allows user to manually enter their own values
- **Formatting Options:** Change colors, line styles, plotting options, show or hide channels quickly
- **Statistics:** Calculate averages, min, max, standard deviation, and mean kinetic temperature with the touch of a button
- **Export Data:** Export data in a variety of common formats, or switch to Excel® with a single click
- **Calibration:** Automatically calculate and store calibration parameters
- **Logger Configuration:** Easy set up and launch of data loggers with immediate or delayed start, preferred sample rate, and device ID
- **Communications:** Automatically sets up communications port, or lets user select configuration

# Rubber Fab

a Garlock Hygienic Technologies company

26 Brookfield Drive • Sparta, NJ 07871  
Phone: 973-579-2959 fax: 973-579-7275

[www.rubberfab.com](http://www.rubberfab.com)

## SMART TRAK™-T Specifications:

### Temperature\*\*

**Measurement Range:** -200 to +850°C

**Resolution:** 0.01°C

**Calibrated Accuracy\*\*:** ±0.05°C (-200 to +260°C)  
±0.3°C (+260 to +850°C)

### Resistance

**Nominal Range:** 0 to 5000Ω

**Resolution:** 0.001Ω

**Calibrated Accuracy\*\*:** ±0.015Ω (0 to +200Ω)  
±0.015Ω + 0.015% of reading  
(200 to 400°C)

**Input Connection:** Removable screw terminal;  
2,3 or 4 wire interface

**Temperature Effect on Span:** <25ppm/°C typical

**Temperature Effect on Offset:** <10ppm cumulative over  
-40 to +80°C

**Start Modes:** Software programmable immediate start or delay  
start up to six months in advance

**Real Time Recording:** May be used with PC to monitor and  
record data in real time

**Memory:** 21,845 readings

**Reading Rate:** 1 reading every 2 seconds to 1 every 12 hours

**Calibration:** Digital calibration through software

**Calibration Date:** Automatically recorded within device

**Battery Type:** 3.6V lithium battery included, user replaceable

**Battery Life:** 1 year typical (1 minute reading rate at 25°C)

**Date Format:** Date and time stamped °C, °F, K, °R, ohms

**Time Accuracy:** ±1 minute/month (at 20°C, RS232 port not in use)

**Computer Interface:** PC serial or USB  
(interface cable required); 2,400 baud

**Software:** Windows® 95/98/ME/NT/2000/XP based software

**Operating Environment:** -40 to +80°C, 0 to 95%RH  
non-condensing

**Dimensions:** 1.4" x 2.5" x 0.6" (36 mm x 64 mm x 16 mm)

**Weight:** 1.0 oz (28 g)

**Approvals:** CE

\*\*Temperature specifications based on ideal 100Ω platinum RTD compliant with IEC 751 (1983) and ITS-90, 5000Ω (accuracy based on 36" lead wire RTD with 4 wire configuration)

\*\*\*Calibrated accuracies based on standard calibrations for 0 to 200Ω range

Rubber Fab is a member of:

