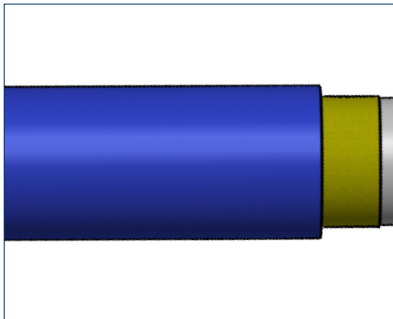
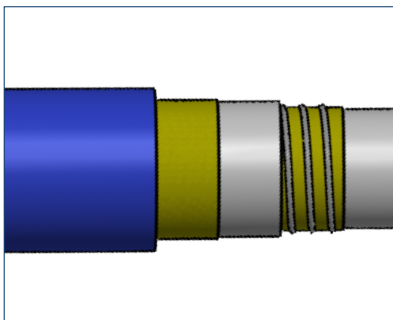


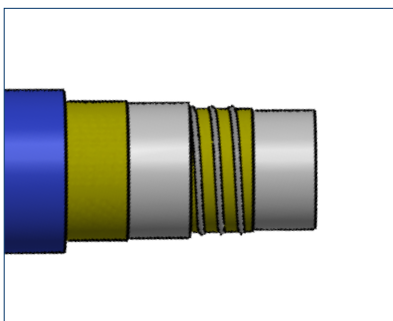
Rubber Fab's New **DKR-FLX** Steam Hose



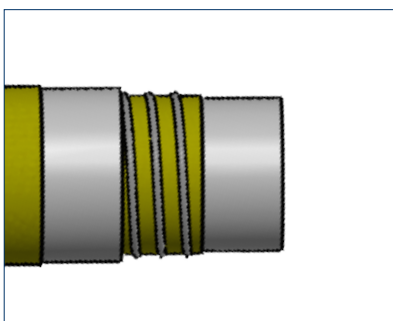
Cover:
Smooth blue synthetic rubber, glossy finish, easy to clean, abrasion, ozone and aging resistant.



Reinforcement:
High tensile synthetic plies, embedded a/s helix wire.



Tube:
White fluoropolymer compound, smooth, compliant with FDA 21 CFR & USP class VI (87) (88)



Smooth Bore:
Smooth bore for uninterrupted flow helps eliminate foreign material buildup and bacterial contamination – allowing easy cleaning.

Rubber Fab's DKR-FLX is an extremely flexible hose designed specifically for applications delivering chemicals in the food, cosmetic, and pharmaceutical industries. DKR-FLX exhibits excellent resistance to high temperature SIP cycles. This hose is comprised of a fluoropolymer inner liner that guarantees low permeability with minimal to no risk of contamination.

SPECIFICATIONS:

- Industry compliance:
 - USP CLASS VI (87)(88) (TUBE MATERIAL)
 - FDA 21 CFR 177.2600 (TUBE MATERIAL)
 - EC 2023/2006 (GMP)
 - EC 1935/2004
 - EC 1907/2006 (REACH)
 - Free from Phthalates, BPA, PAH & ADI
- Full Traceability
- Resistant to steam sterilization (Multiple cycles at 276°F for max. 30 min.)
- Max Operating Temperature:
 - Min -15°F/-26°C (application dependent)
 - Max 300°F/150°C (application dependent)

| Size | Part # | Min Bend Radius | Max Working Pressure (@ 68°F/20°C) | Vacuum (@70°F/20°C) |
|--------|------------|-----------------|------------------------------------|---------------------|
| 1/2" | 08RFDKRFLX | 2.625"/66mm | 1300 PSI/90 Bar | 27 inHg |
| 3/4" | 12RFDKRFLX | 3.75"/95mm | 945 PSI/65 Bar | 27 inHg |
| 1" | 16RFDKRFLX | 5.00"/127mm | 800 PSI/55 Bar | 27 inHg |
| 1-1/2" | 24RFDKRFLX | 7.50"/190mm | 565 PSI/40 Bar | 27 inHg |
| 2" | 32RFDKRFLX | 10.0"/254mm | 435 PSI/30 Bar | 27 inHg |