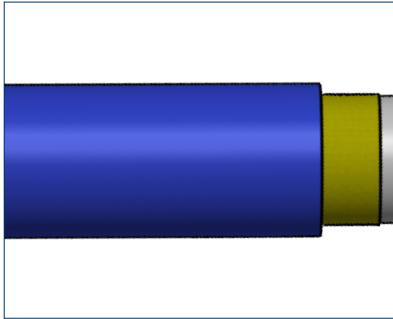
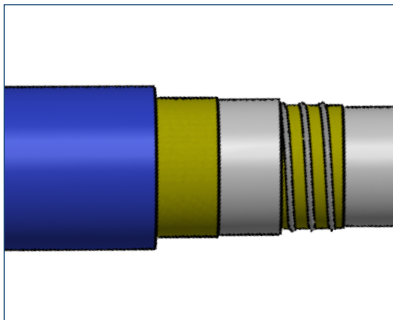


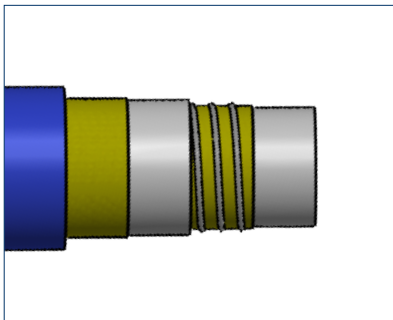
Rubber Fab's New DKR-FLX Hose



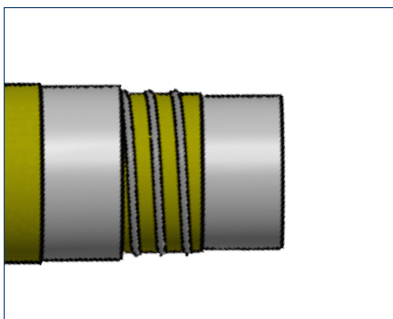
Cover:
Smooth blue synthetic rubber, glossy finish, easy to clean, abrasion, ozone and aging resistant.



Reinforcement:
High tensile synthetic plies, embedded a/s helix wire.



Tube:
White fluoropolymer compound, smooth, compliant with FDA 21 CFR & USP class VI (87) (88)



Smooth Bore:
Smooth bore for uninterrupted flow helps eliminate foreign material buildup and bacterial contamination – allowing easy cleaning.

Rubber Fab's DKR-FLX is an extremely flexible hose designed specifically for applications delivering chemicals in the food, cosmetic, and pharmaceutical industries. DKR-FLX exhibits excellent resistance to high temperature SIP cycles. This hose is comprised of a fluoropolymer inner liner that guarantees low permeability with minimal to no risk of contamination.

SPECIFICATIONS:

- Industry compliance:
 - USP CLASS VI (87)(88) (TUBE MATERIAL)
 - FDA 21 CFR 177.2600 (TUBE MATERIAL)
 - EC 2023/2006 (GMP)
 - EC 1935/2004
 - EC 1907/2006 (REACH)
 - Free from Phthalates, BPA, PAH & ADI
- Full Traceability
- Resistant to steam sterilization (Multiple cycles at 276°F for max. 30 min.)
- Max Operating Temperature:
 - Min -15°F/-26°C (application dependent)
 - Max 300°F/150°C (application dependent)

APPLICATIONS:

- Food
- Beverage
- Fine chemicals
- USP Class VI pharmaceutical applications

Size	Part #	Min Bend Radius	Max Working Pressure (@ 68°F/20°C)	Vacuum (@70°F/20°C)
1/2"	08RFDKRFLX	2.625"/66mm	1300 PSI/90 Bar	27 inHg
3/4"	12RFDKRFLX	3.75"/95mm	945 PSI/65 Bar	27 inHg
1"	16RFDKRFLX	5.00"/127mm	800 PSI/55 Bar	27 inHg
1-1/2"	24RFDKRFLX	7.50"/190mm	565 PSI/40 Bar	27 inHg
2"	32RFDKRFLX	10.0"/254mm	435 PSI/30 Bar	27 inHg

Rubber Fab

a Garlock Hygienic Technologies company

26 Brookfield Drive • Sparta, NJ 07871
info@rubberfab.com | www.rubberfab.com